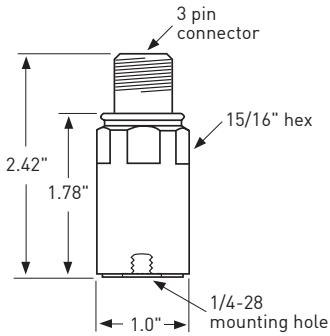




**Features**

- Senses both acceleration and temperature
- Rugged design
- Hermetic seal
- Ground isolated
- ESD protection
- Reverse wiring protection



## Model ST-693T-10 General purpose accelerometer with internal temperature sensor

### Dynamic

Sensitivity, ±5%, 25°C .....	10 mV/g
Acceleration range .....	500 g peak
Amplitude nonlinearity .....	1%
Frequency response:	
±5% .....	3.0 - 5,000 Hz
±10% .....	2.0 - 7,000 Hz
±3 dB .....	1.0- 15,000 Hz
Resonance frequency .....	24 kHz
Transverse sensitivity, max. ....	5% of axial
Temperature response .....	-50°C    -10%
	+120°C   +5%
Temperature output sensitivity, ±5% .....	10 mV/K
Temperature measurement range .....	223 to 390°K (-50 to 120°C)

### Electrical

Temperature sensor		
Power requirement: voltage source .....	18 - 30 VDC	
current regulating diode .....	2 - 4 mA	
Grounding .....	case isolated	

Accelerometer		
Power requirement: voltage source .....	18 - 30 VDC	
current regulating diode .....	2 - 10 mA	

Electrical noise, equiv. g:		
Broadband 2.5 Hz to 25 kHz .....	4,500 µg	
Spectral 10 Hz .....	50 µg/√Hz	
100 Hz .....	40 µg/√Hz	
1000 Hz .....	20 µg/√Hz	

Output impedance, max. ....	100 Ω
Bias output voltage .....	12 VDC
Grounding .....	case isolated

### Environmental

Temperature range .....	-50 to 120°C
Vibration limit .....	500 g peak
Shock limit .....	5,000 g peak
Electromagnetic sensitivity, equiv. g. ....	15 µg/gauss
Sealing .....	hermetic
Base strain sensitivity .....	0.0001 g/µstrain

### Physical

Sensing element design .....	PZT ceramic / compression
Weight .....	115 grams
Case material .....	316L stainless steel
Mounting .....	1/4-28 tapped hole
Output connector .....	3 pin, MIL-C-5015 style
Mating Connector .....	3 pin, MIL 5015 style

Connector Pin	Function
Shell	ground
A	accelerometer- power & signal
B	accelerometer- temperature / sensor common
C	temperature sensor- power & signal

Accessories supplied: 1/4-28 mounting stud (International customers specify mounting requirements); calibration data (level 3).

Sage Technologies  
544 99th Ave SE  
Bellevue, WA 98004  
USA

Tel: 425 454 9680  
Fax: 425 454 9679

Email: info@sagetechnologies.com

www.sagetechnologies.com